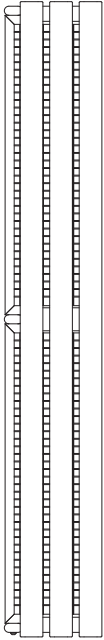


variset VZ range
 wall bench with shoetray for
 hollow or partitioned walls

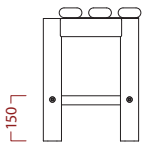
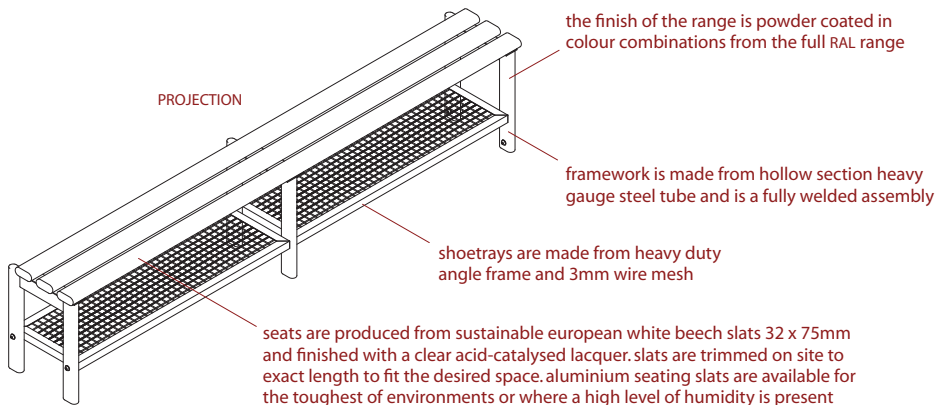
VZ10

PLAN



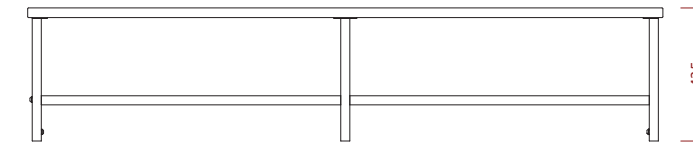
330

PROJECTION



315

END ELEVATION



overall length as required
 equally spaced supports at maximum 1250mm centres

FRONT ELEVATION



N10 GENERAL FIXTURES/FURNISHINGS/EQUIPMENT

VZ10 170 BENCHES For Changing Rooms

MANUFACTURER AJ Binns Limited, Harvest House, Cranborne Road, Potters Bar, Hertfordshire, EN6 3JF. Telephone 01707 855 555 fax 01707 857 56

email enq@ajbinns.com web www.ajbinns.com

PRODUCT REFERENCE Binns VZ10 Bench Unit. A wall bench seat with 3 slats and a shoetray.

MATERIAL Mild Steel

FINISH/COLOUR Powder Coated

FITTINGS BEECH Slats/Powder Coated Aluminium Slats

binns

variset **benches, hooks, hangers & shelves** for changing rooms & cloakrooms
 variset® is designed by Royal Designer for Industry Kenneth Grange CBE, RDI

AJ Binns Limited

Harvest House, Cranborne Road
 Potters Bar, Hertfordshire EN6 3JF
 Telephone 01707 85 5555 Fax 01707 85 7565
 email enq@ajbinns.com
 web www.ajbinns.com