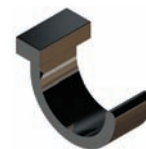
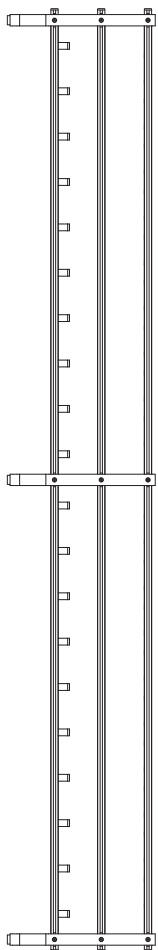


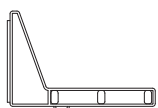
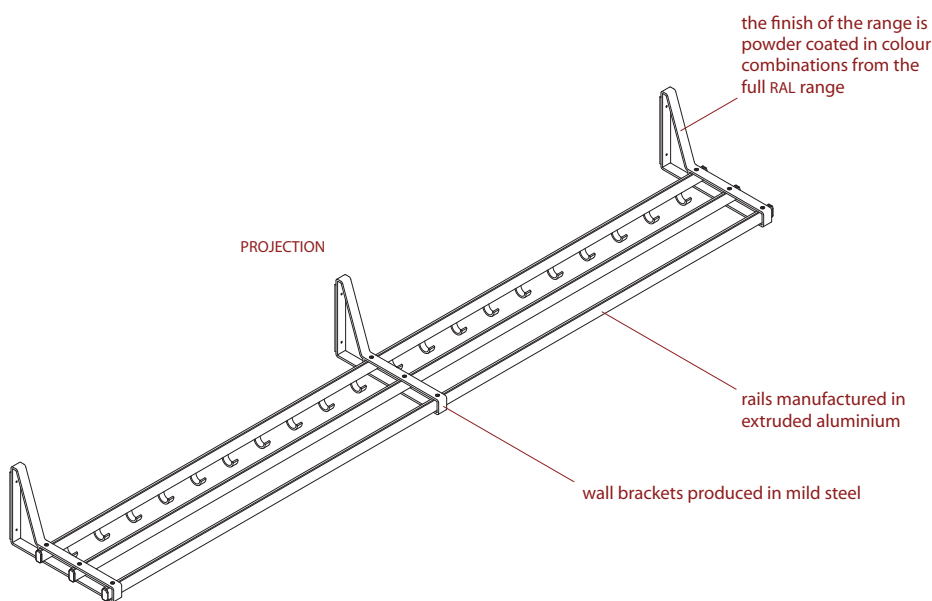
variset NV range
 wall fixed shelf with one row
 of nylon hooks

NV2.1

PLAN

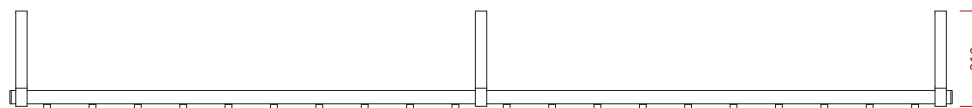


PROJECTION



330

END ELEVATION



overall length as required
 equally spaced supports at maximum 1000mm centres

FRONT ELEVATION

210



N10 GENERAL FIXTURES/FURNISHINGS/EQUIPMENT

NV2.1 210 COAT RACKS For Changing Rooms

MANUFACTURER AJ Binns Limited, Harvest House, Cranborne Road, Potters Bar, Hertfordshire, EN6 3JF. Telephone 01707 855 555 fax 01707 857 56

email enq@ajbinns.com web www.ajbinns.com

PRODUCT REFERENCE Description

MATERIAL Material/Material/Material

FINISH/COLOUR Finish/Colour

FITTINGS Fittings/Fittings/Fittings

binns

variset **benches, hooks, hangers & shelves** for changing rooms & cloakrooms
 variset® is designed by Royal Designer for Industry Kenneth Grange CBE, RDI

AJ Binns Limited

Harvest House, Cranborne Road
 Potters Bar, Hertfordshire EN6 3JF
 Telephone 01707 85 5555 Fax 01707 85 7565
 email enq@ajbinns.com
 web www.ajbinns.com