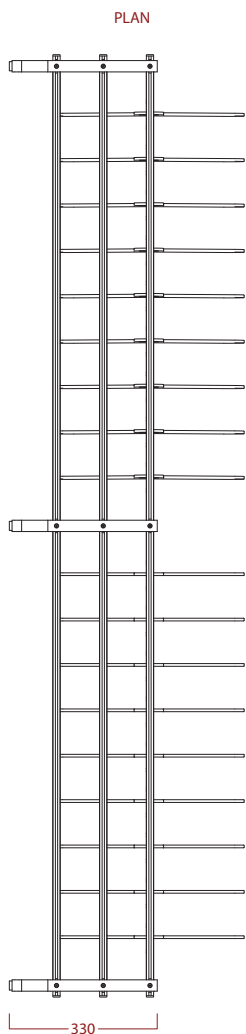


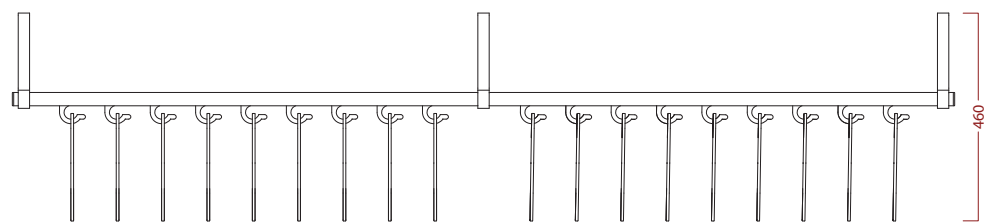
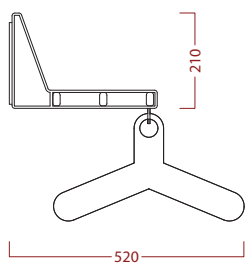
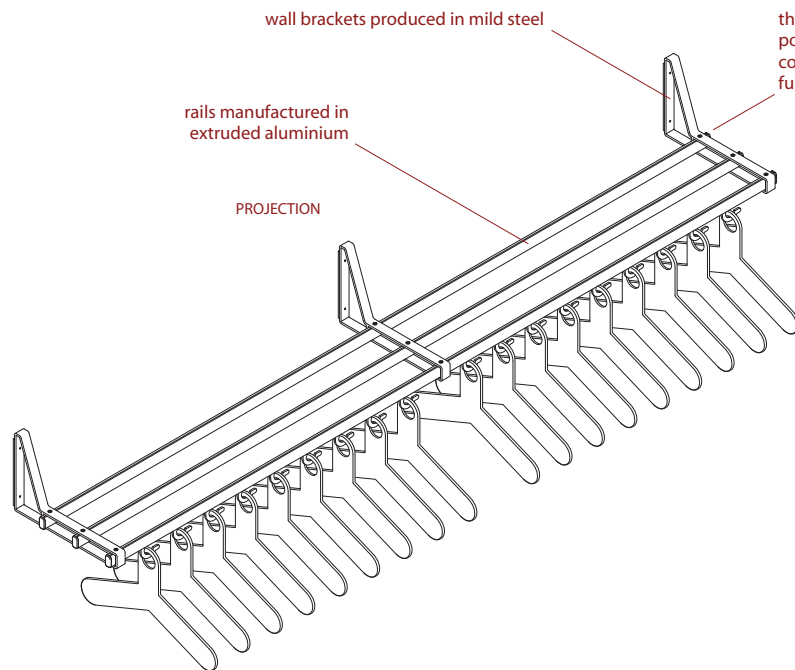
variset NV range
wall fixed shelf with acrylic hangers

NV1 PH



100 approx

available in a range of colours



N10 GENERAL FIXTURES/FURNISHINGS/EQUIPMENT

NV1 PH 210 COAT RACKS For Changing Rooms

MANUFACTURER AJ Binns Limited, Harvest House, Cranborne Road, Potters Bar, Hertfordshire, EN6 3JF. Telephone 01707 855 555 fax 01707 857 56

email enq@ajbinns.com web www.ajbinns.com

PRODUCT REFERENCE Description

MATERIAL Material/Material/Material

FINISH/COLOUR Finish/Colour

FITTINGS Fittings/Fittings/Fittings

binns

variset **benches, hooks, hangers & shelves** for changing rooms & cloakrooms
variset® is designed by Royal Designer for Industry Kenneth Grange CBE, RDI

AJ Binns Limited

Harvest House, Cranborne Road
Potters Bar, Hertfordshire EN6 3JF
Telephone 01707 85 5555 Fax 01707 85 7565
email enq@ajbinns.com
web www.ajbinns.com