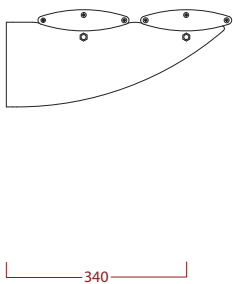
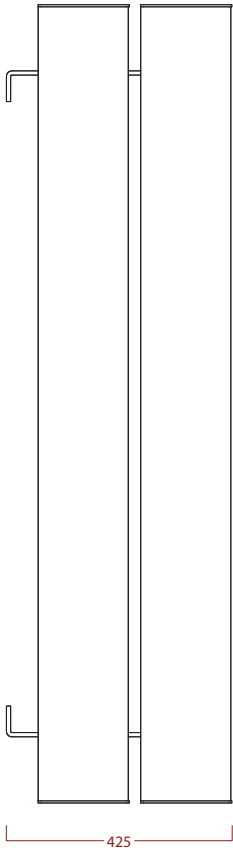


# variset elliptical cantilever wall fixed bench

# EL7A

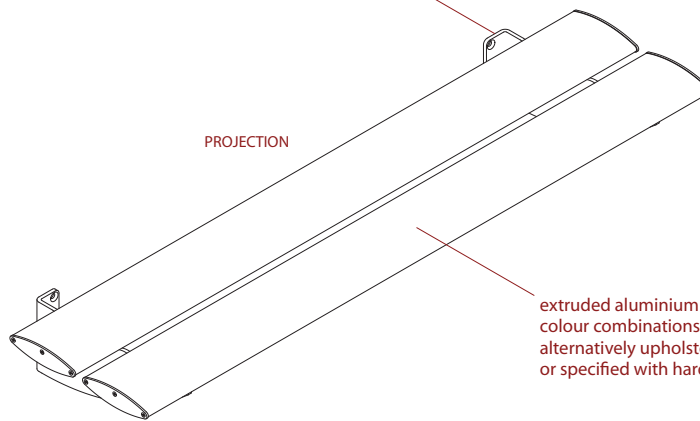
PLAN



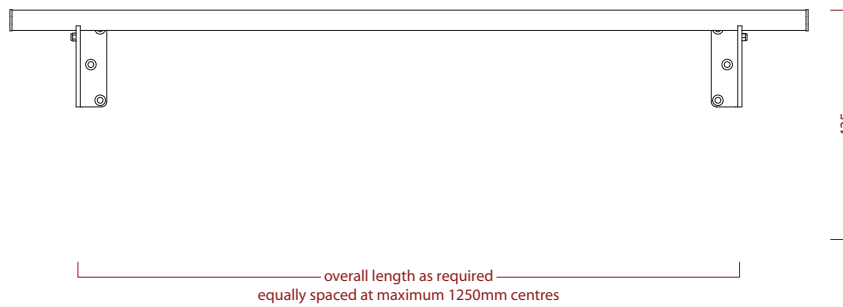
END ELEVATION

seating supports laser cut in 8mm,  
high quality mild steel or stainless 316

PROJECTION



extruded aluminium slats, powder coated in  
colour combinations from the full RAL range,  
alternatively upholstered in Connolly leather  
or specified with hardwood slats



FRONT ELEVATION

## GUIDELINES

Fixings:  
Binns recommended fixings for this unit  
are Hilti HRD-UGT 10 x 80/10.  
A J Binns can supply fixings upon  
request.

Walls:  
Medium Density Blockwork is  
recommended.



### N10 GENERAL FIXTURES/FURNISHINGS/EQUIPMENT

#### EL7A 170 BENCHES For Changing Rooms

MANUFACTURER AJ Binns Limited, Harvest House, Cranborne Road, Potters Bar,  
Hertfordshire, EN6 3JF. Telephone 01707 855 555 fax 01707 857 56

email enq@ajbinns.com web www.ajbinns.com

PRODUCT REFERENCE Binns EL7A Bench Unit. A cantilever wall mounted bench unit.

MATERIAL Stainless steel/Mild steel/Aluminium

FINISH/COLOUR Polished/Powder Coated

FITTINGS Beech Slats/Oak Slats/Powder Coated Aluminium Slats

# binns

variset **benches, hooks, hangers & shelves** for changing rooms & cloakrooms  
variset® is designed by Royal Designer for  
Industry Kenneth Grange CBE, RDI

#### AJ Binns Limited

Harvest House, Cranborne Road  
Potters Bar, Hertfordshire EN6 3JF  
Telephone 01707 85 5555 Fax 01707 85 7565  
email enq@ajbinns.com  
web www.ajbinns.com